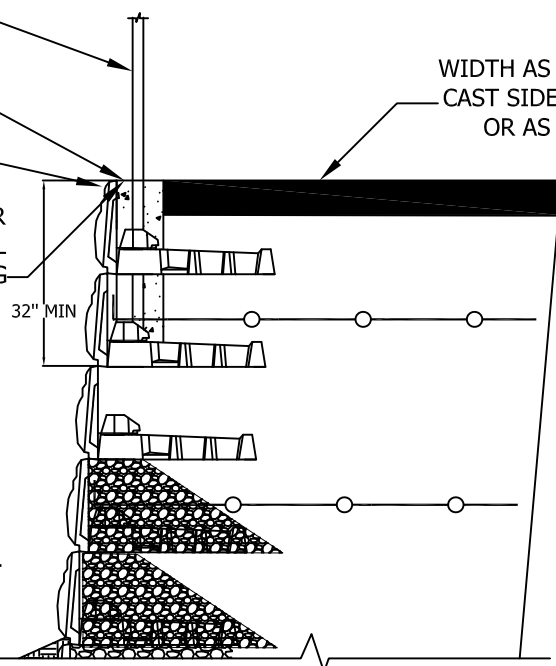


6' FENCE OR PEDESTRIAN GUARD RAIL  
SPECIFIED BY ENGINEERING  
EMBED POST IN 8" DIA PVC SLEEVE  
OR SONO TUBE 32" MIN OR  
SPECIFIED BY ENGINEER  
TOP OF SLEEVE 2"  
BELOW TOP OF PANEL

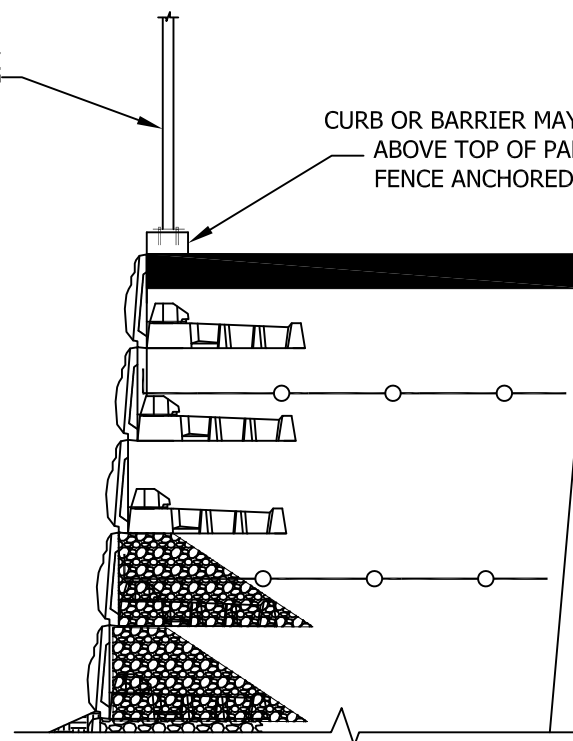
8" PVC SLEEVE FOR  
SMALLER FENCEING OR HANDRAIL  
SPECIFIED BY ENGINEERING

WIDTH AS SPECIFIED  
CAST SIDEWALK 4-6"  
OR AS SPECIFIED



FENCE OR PEDESTRIAN GUARD RAIL  
SPECIFIED BY ENGINEERING

CURB OR BARRIER MAY BE CAST  
ABOVE TOP OF PANEL WITH  
FENCE ANCHORED TO CURB



**CONSTRUCTION NOTE:**

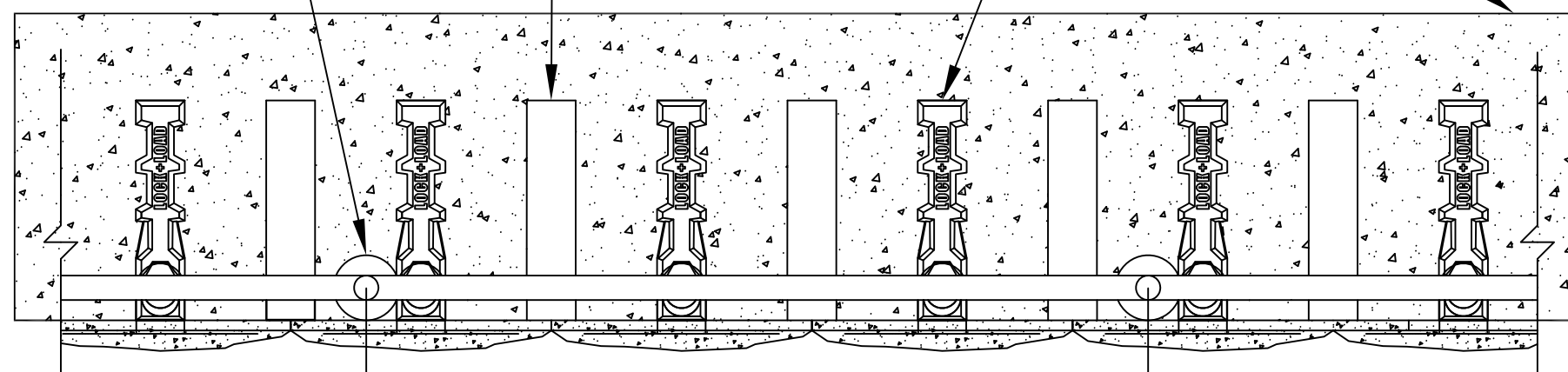
CUT SLEEVE 30"  
INSTALL 2" BELOW TOP OF PANEL  
FINISH CONCRETE TO TOP OF PANEL

8' ON CENTER SPACING FOR FENCE OR PEDESTRIAN  
GUARDRAIL BY OTHERS EMBED POST IN A 8" DIA  
PREINSTALLED SONO TUBE OR PVC

2ND COURSE OF COUNTERFORT  
FROM TOP OF WALL

SIDEWALK

TOP OF WALL COUNTERFORTS



8'-1.00"  
APPROXIMATE O/C

**DETAIL NOTE:**

FENCE SLEEVES MAY BE SPACED  
AT ANY 16" MULTIPLE EXAMPLE  
4', 5'4", 6'8", 8'

REV#	DESCRIPTION	DATE

**LOCK+LOAD**<sup>TM</sup>  
**RETAINING WALL SYSTEMS**  
 1681 CHESTNUT STREET, SUITE 400, VANCOUVER, B.C. V6J 4M6  
 Tel: (604) 732-9990 Toll Free: 1-877-901-9998 Fax: (604) 737-1140  
 Web site: www.lock-load.com

DRAWING NAME		FENCE DETAIL	
PROJECT NAME		TYPICAL DETAILS	
LOCATION			
CITY	COUNTRY	DATE	
DRAWN BY	SM	DATE	02-14-2019
APPROVED BY	RC/DA	PREPARED	
SCALE	N.T.S.	FOR	
OUR PROJECT NUMBER		OUR PROJECT NUMBER	