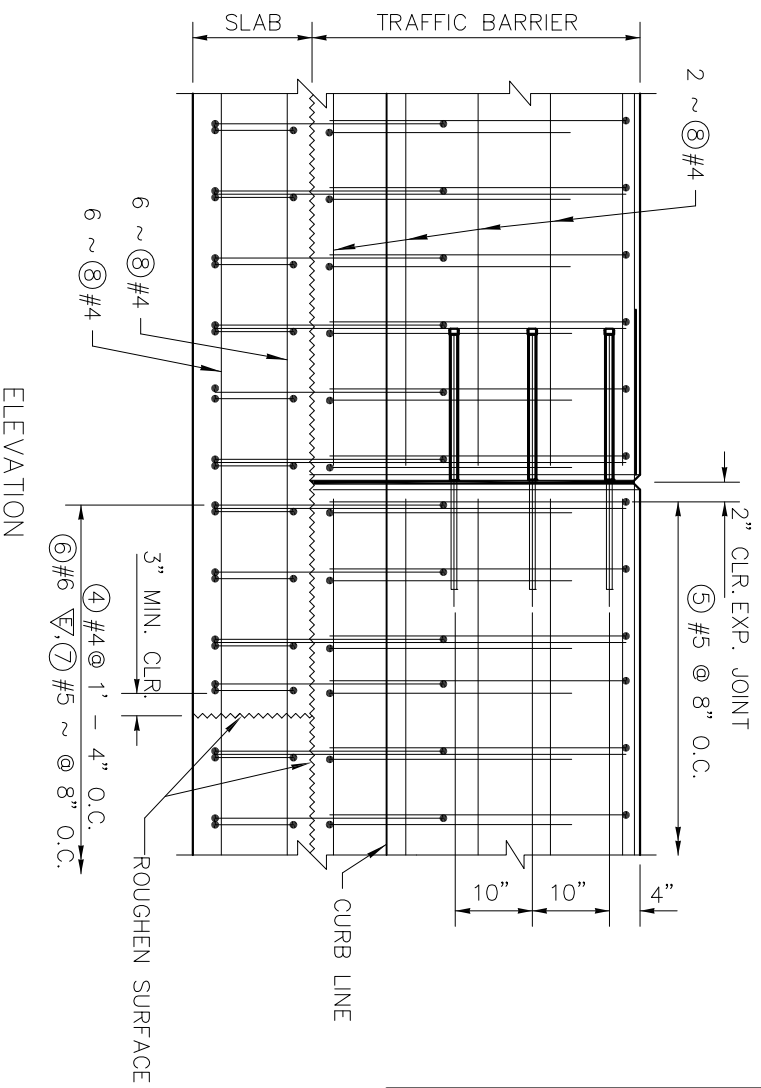
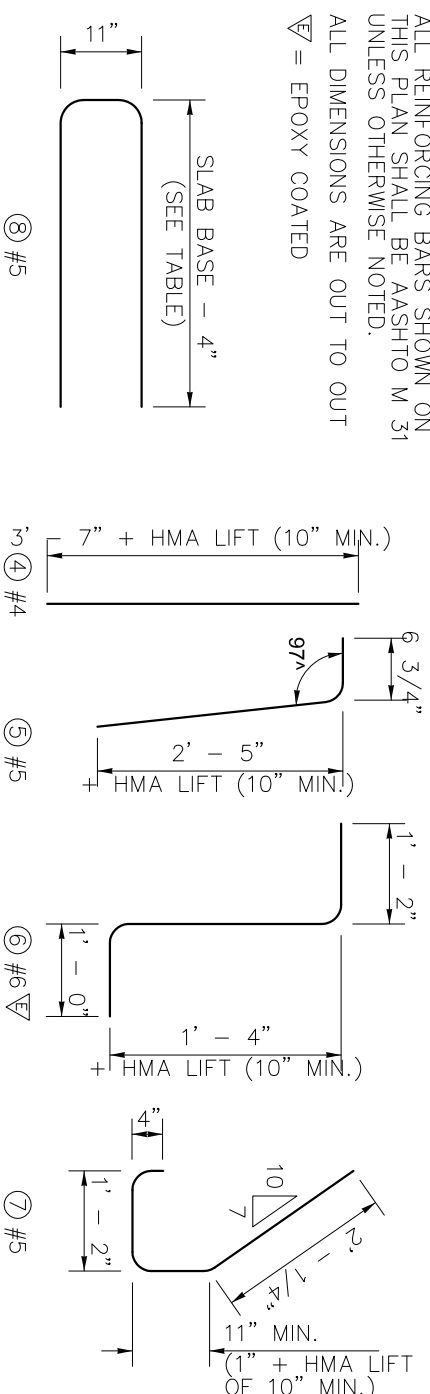
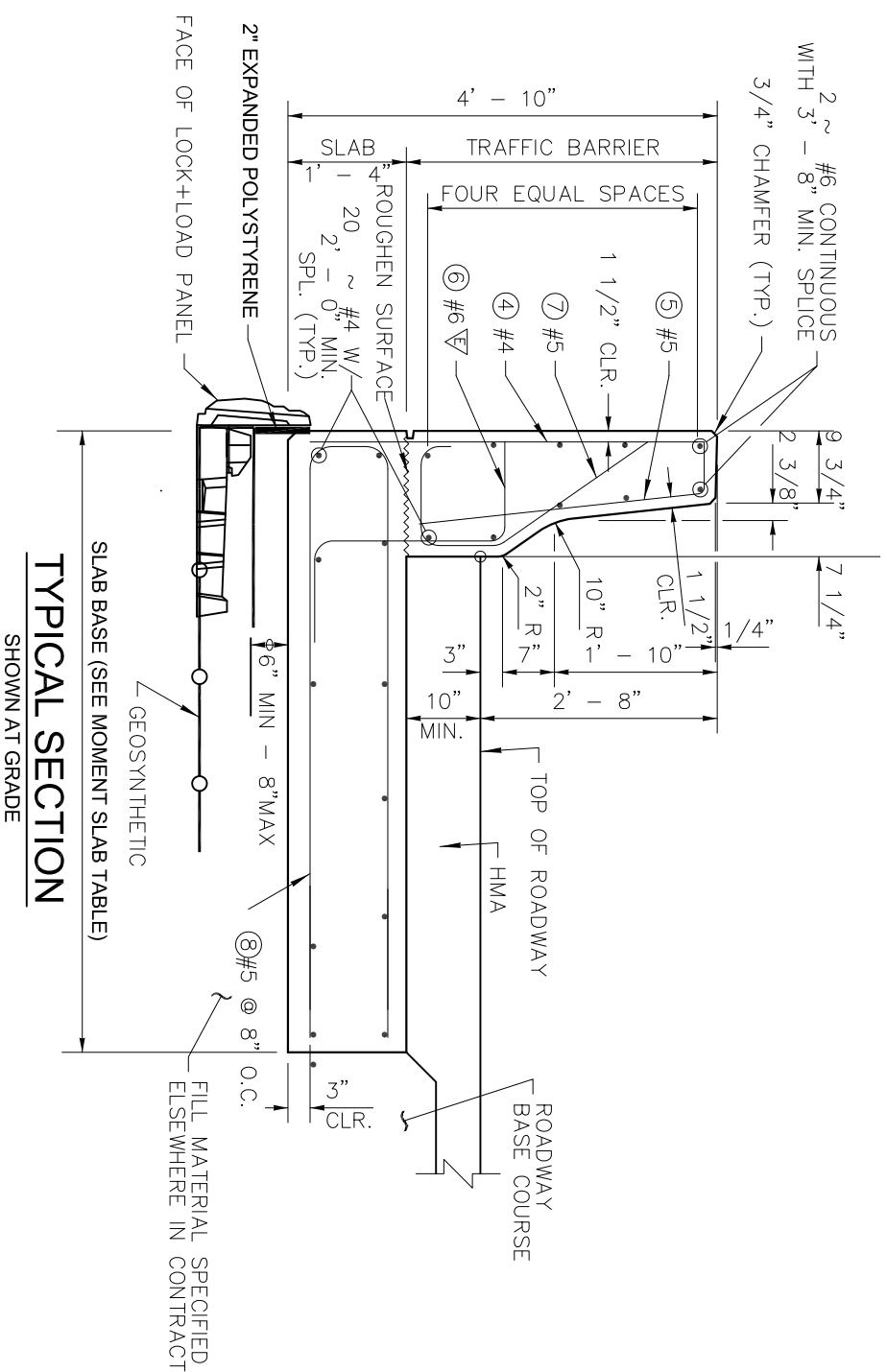


REINFORCING STEEL BENDING DIAGRAM

ALL REINFORCING BARS SHOWN ON THIS PLAN SHALL BE AASHTO M 31 UNLESS OTHERWISE NOTED.
ALL DIMENSIONS ARE OUT TO OUT
▽ = EPOXY COATED



SLAB LENGTH		SLAB BASE ON WALL AT GRADE		BARRIER EXPANSION JOINT SPACING	
MIN.	MAX.	MIN.	MAX.	MIN.	MAX.
80' - 1"	-	7' - 0"	5' - 0"	80' - 0"	120' - 0"
60' - 1"	80' - 0"	8' - 0"	6' - 0"	60' - 0"	80' - 0"
40' - 1"	60' - 0"	9' - 0"	7' - 0"	40' - 0"	60' - 0"
0	40' - 0"				



TYPICAL SECTION SHOWN AT GRADE

MOMENT SLAB BARRIER DETAIL- STANDARD "F" SHAPE BARRIER

LOGK+LOADTM
RETAINING WALL SYSTEMS
1881 CHESTNUT STREET, SUITE 400, VANCOUVER, B.C. V6J 4K6
Tel: (604) 732-5959 Fax: (604) 731-1140
Web site: www.logkload.com

DRAWING NO: TRAFFIC BARRIER DETAIL
PROJECT NAME: TYPICAL DETAILS
CITY: COQUITON
DRAWN BY: KJA
DATE: 01/06/12
APPROVED BY: RC/DA
SCALE: N.T.S.
PREPARED FOR: OUR PROJECT NUMBER
CUSTOMER DRAWING: LL-MS001-5C-F STYLE BARRIER

REV #	DESCRIPTION	DATE